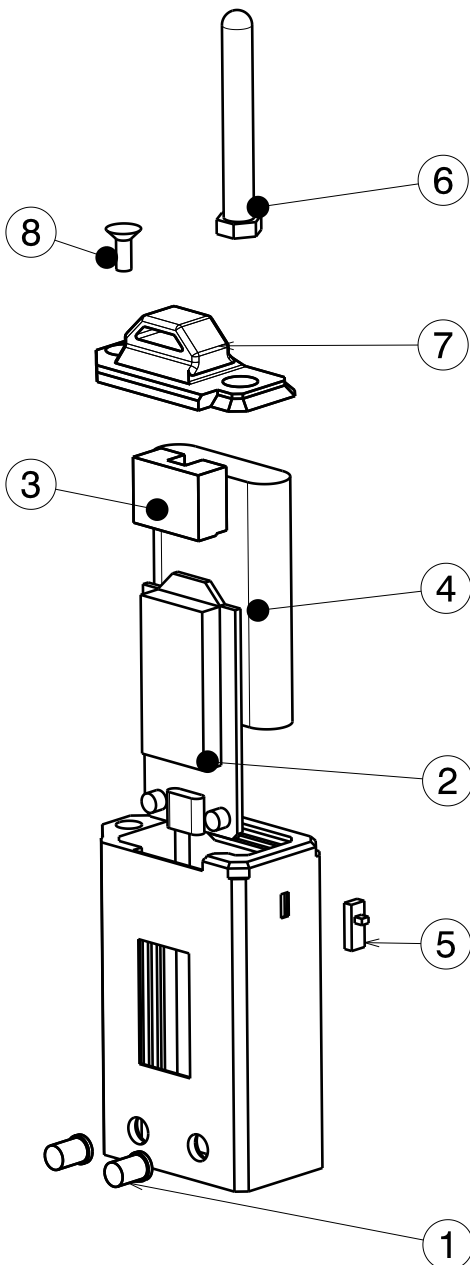
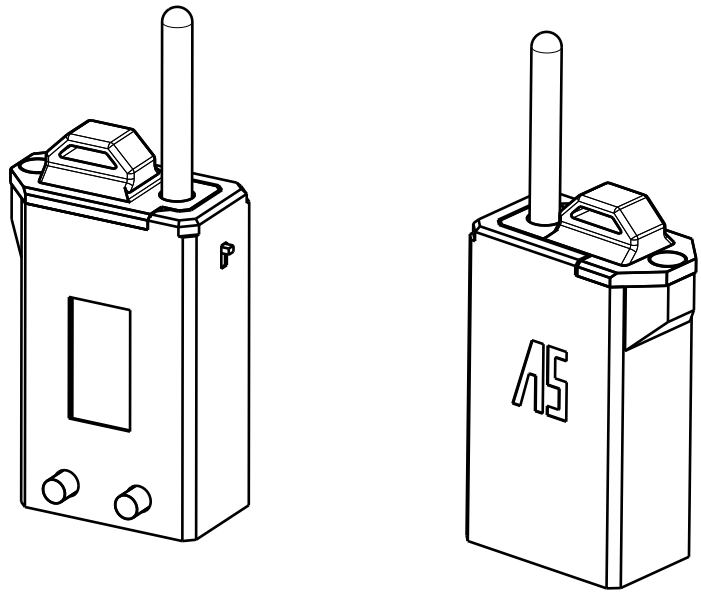


HELTEC V3 3D CASE



POS	DESCR	INSTR
1	BUTTON	*PRINT
2	HELTEC V3	
3	SPACER	*PRINT
4	BATTERY	103450 3.7v
5	SWITCH	MSK-12D19G2
6	ANTENNA	
7	UP COVER	*PRINT
8	SCREW	M3X8
9	CASE	*PRINT